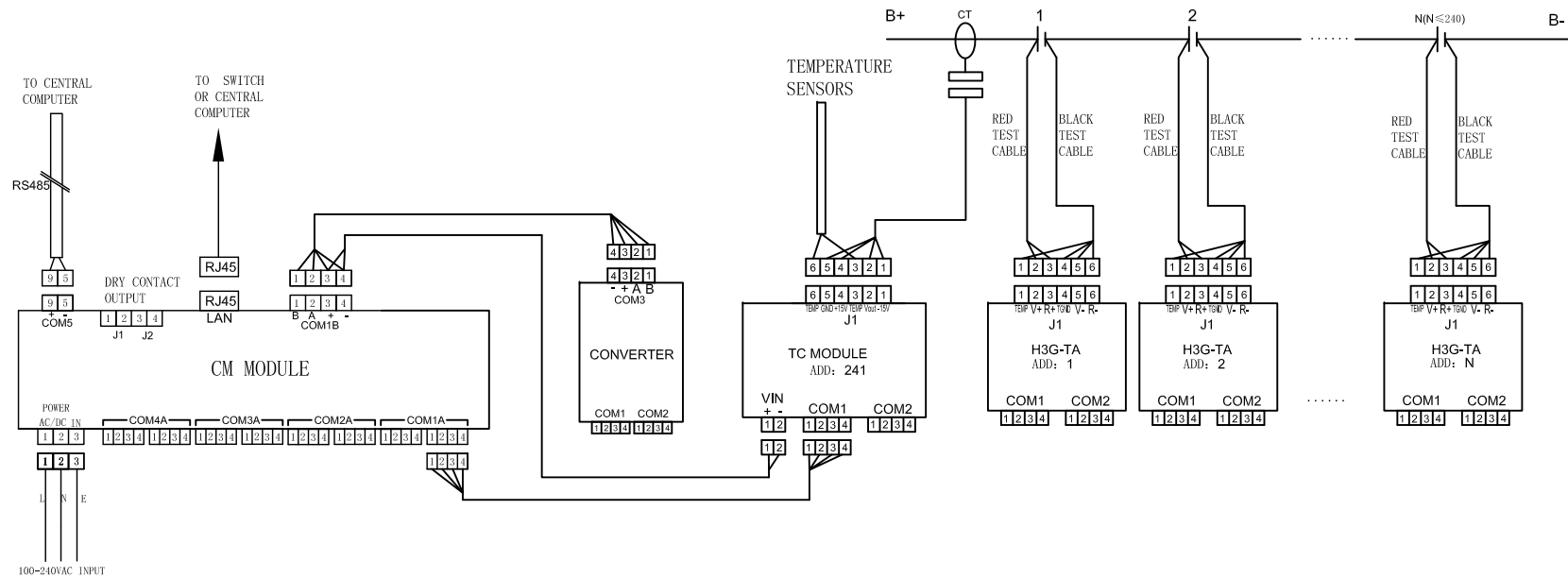


DATE	CHANGE RECORD	BY



THIS DOCUMENTS CONTAINS PROPRIETARY INFORMATION AND SHOULD NOT BE PUBLISHED OR USED FOR ANY PURPOSES WITHOUT THE PRIOR WRITTEN PERMISSION OF ECHOLOGY CO., LTD.		DRAWN BY	
		CHECKED BY	
		APPROVED BY	
		PROJECT	
UNIT	TOLERANCES	DATE	
mm	0. ± 0.5 .00 ± 0.15 .0 ± 0.25 .000 ±	2017.8.29	
MATERIAL	FINISH	SCALE	A4
		SCALE	PAGE 1 OF 1 PAGE
			REV. A
		PART NAME WIRING DIAGRAM	
		DRAWING NUMBER HA-5213AAA1	